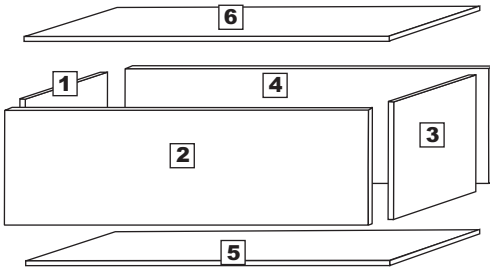




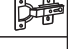





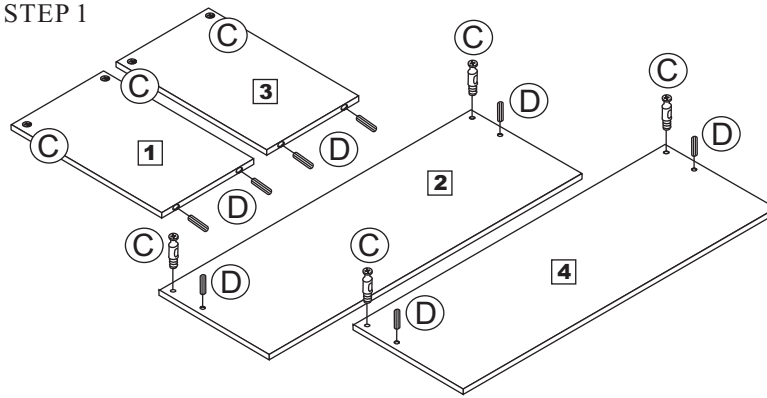
MALMO OTTOMAN STORAGE BOX

Assembly Instructions (Ref 2691)

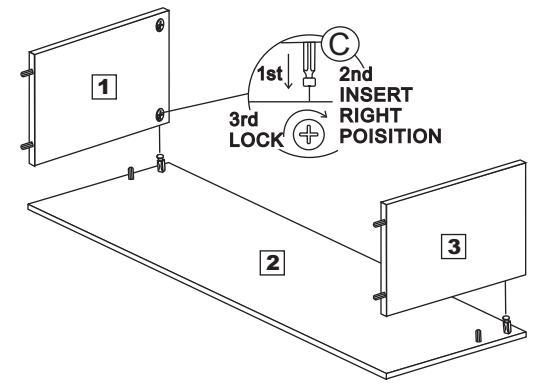


NO	HARDWARE LIST	QTY
A	JCBCW screw (5X40) 	6
B	M3.5X14MM screw 	33
C	Mini Fit 	4 set
D	Dowel 8X25mm 	8
E	Hinges 	3
F	Cholme Stay 9" 	1
G	Plastic Leg 	4
H	Allen Key 	1

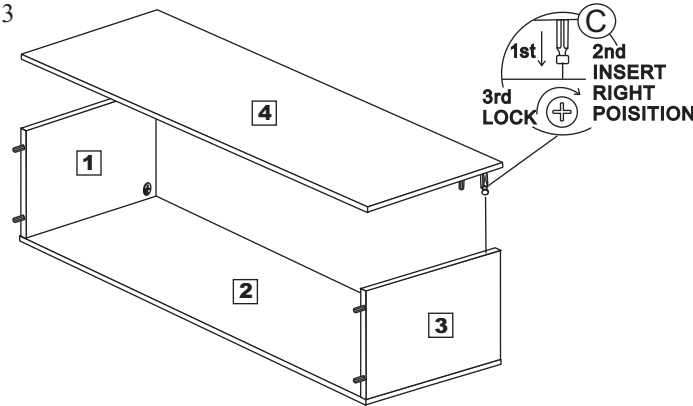
STEP 1



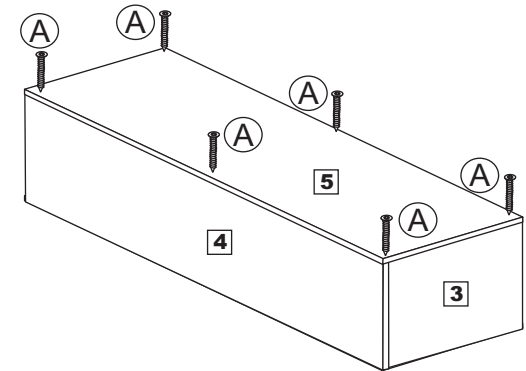
STEP 2



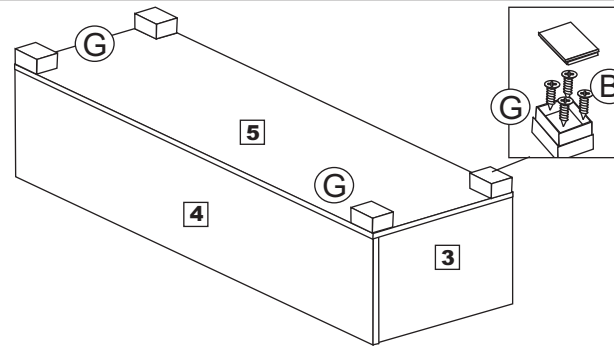
STEP 3



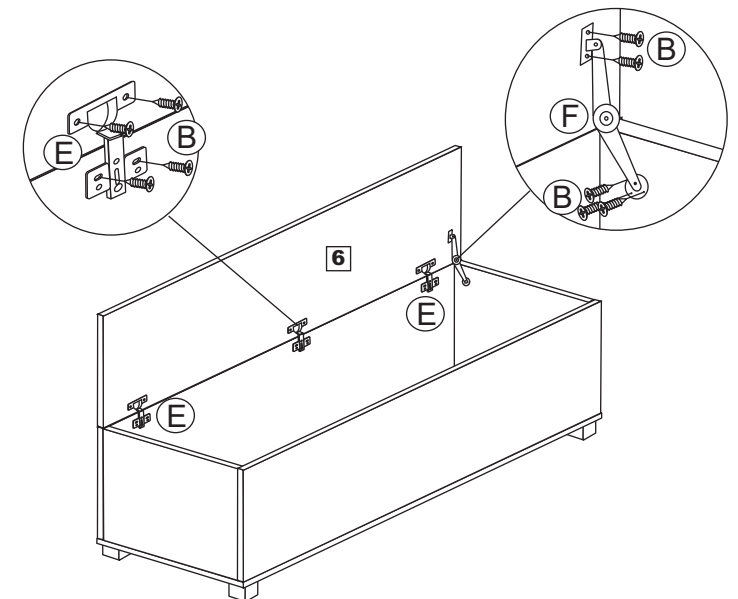
STEP 4



STEP 5



STEP 6



COMPLETE

