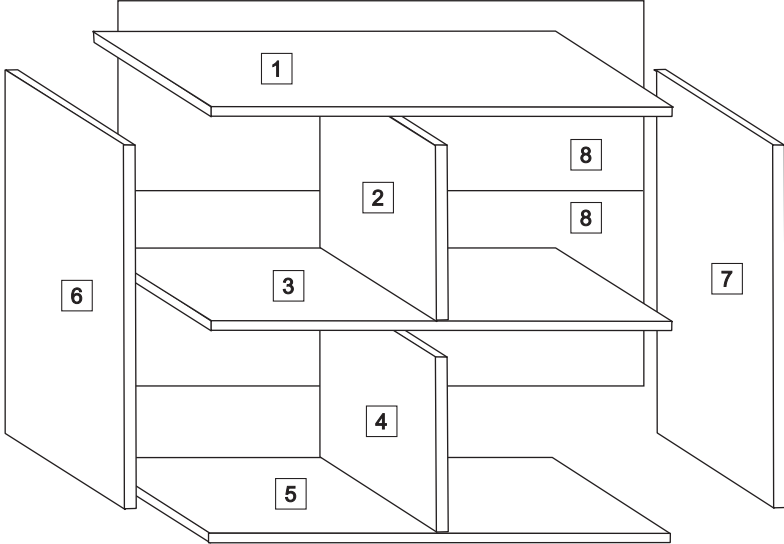








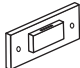
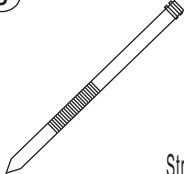
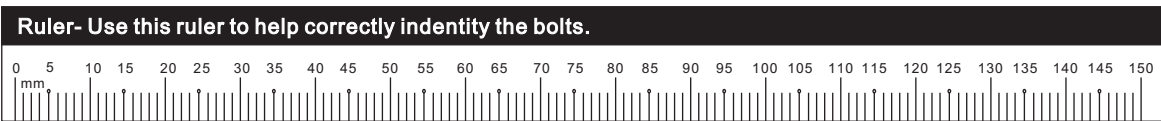


MODEL : 4 CUBE STORAGE CUBE WITH BACK

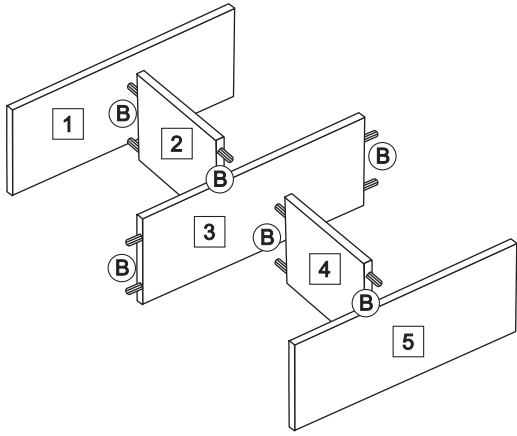
ASSEMBLY INSTRUCTIONS



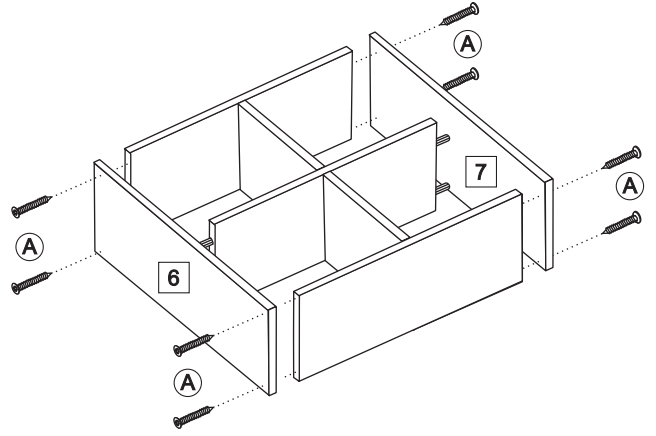
HARDWARE				
(A)	(B)	(C)	(D)	(E)
				
JCBC M5X 40mm X 8	M8X25MM X 12	Leg Pin X 6	Nail X 32	Allen Key X 1
(F)	(G)	(H)	(I)	(J)
				
M4 X 32mm X 2	M4 X 20mm X 2	Wall Plug X 2	Bracket X 2	Strap X 1



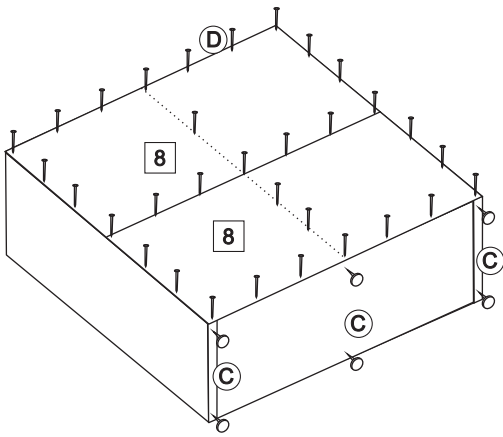
STEP 1



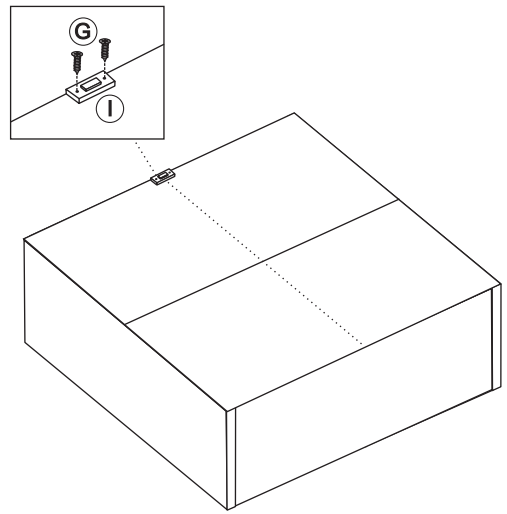
STEP 2



STEP 3



STEP 4



STEP 5

