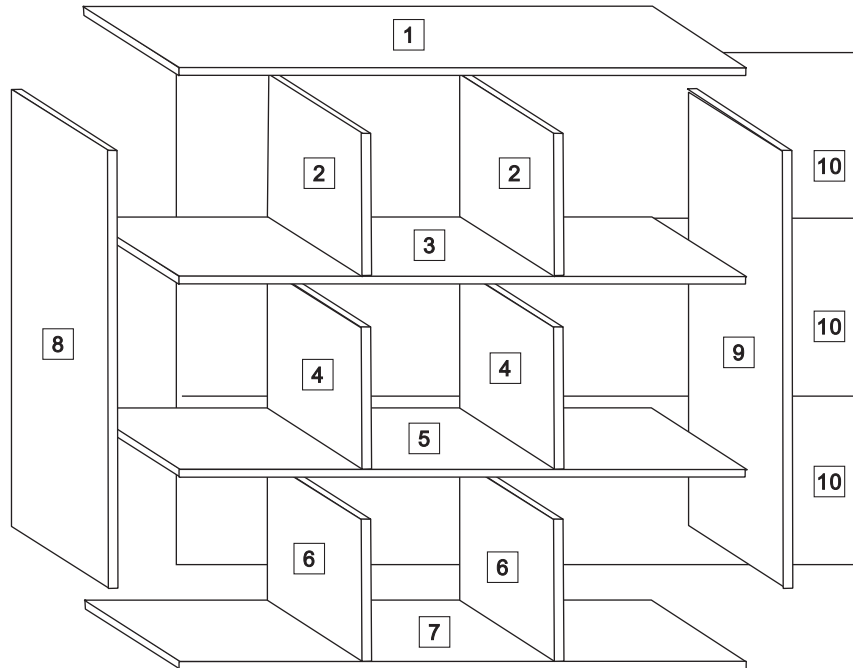










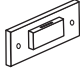
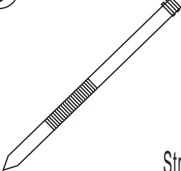
MODEL :9 CUBE STORAGE CUBE WITH BACK

ASSEMBLY INSTRUCTIONS

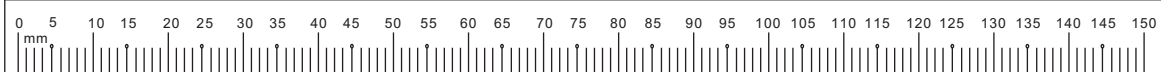
CUB3X3BLK / OAK / GREY / WHT



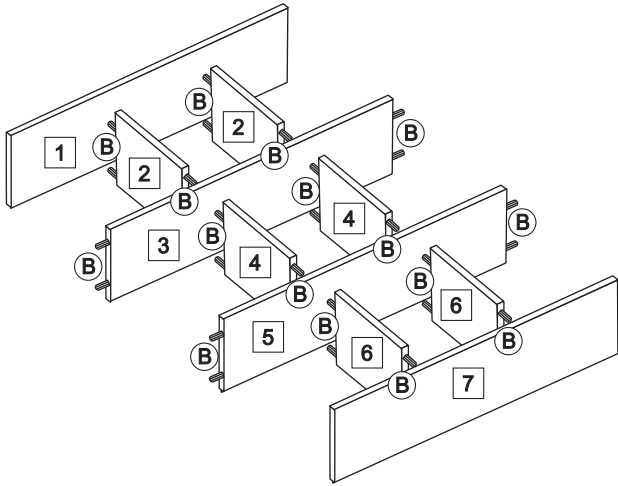
HARDWARE

<p>(A)</p>  <p>JCBC M5X 40mm X 8</p>	<p>(B)</p>  <p>M8X25MM X 32</p>	<p>(C)</p>  <p>Leg Pin X 8</p>	<p>(D)</p>  <p>Nail X 60</p>	<p>(E)</p>  <p>Allen Key X 1</p>
<p>(F)</p>  <p>M4 X 32mm X 4</p>	<p>(G)</p>  <p>M4 X 20mm X 4</p>	<p>(H)</p>  <p>Wall Plug X 4</p>	<p>(I)</p>  <p>Bracket X 4</p>	<p>(J)</p>  <p>Strap X 2</p>

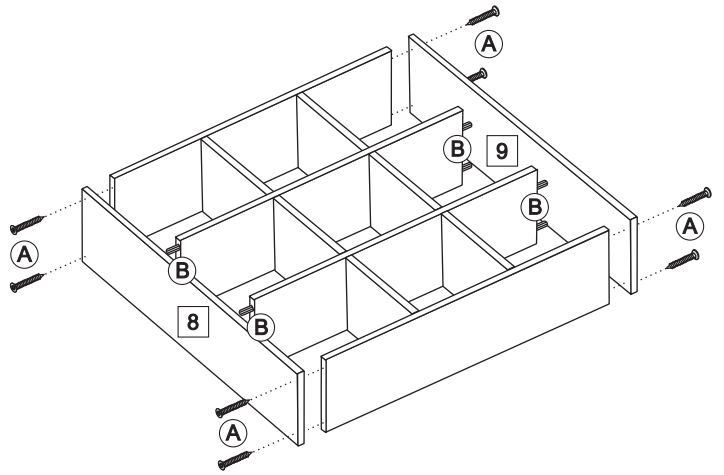
Ruler- Use this ruler to help correctly indentify the bolts.



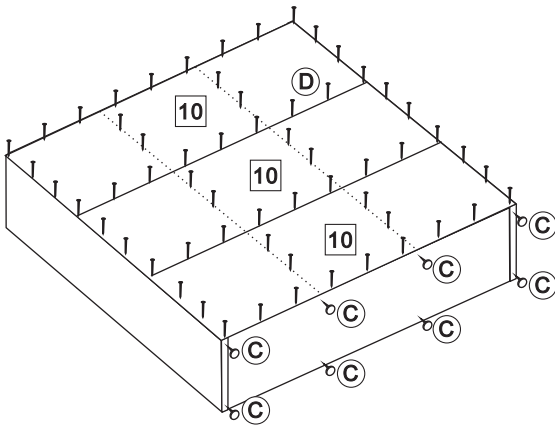
STEP 1



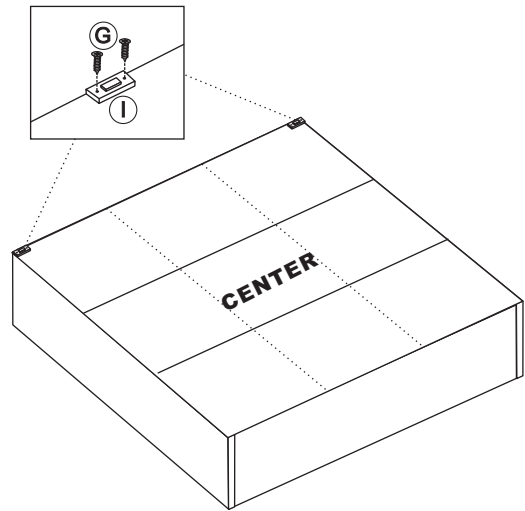
STEP 2



STEP 3



STEP 4



STEP 5

